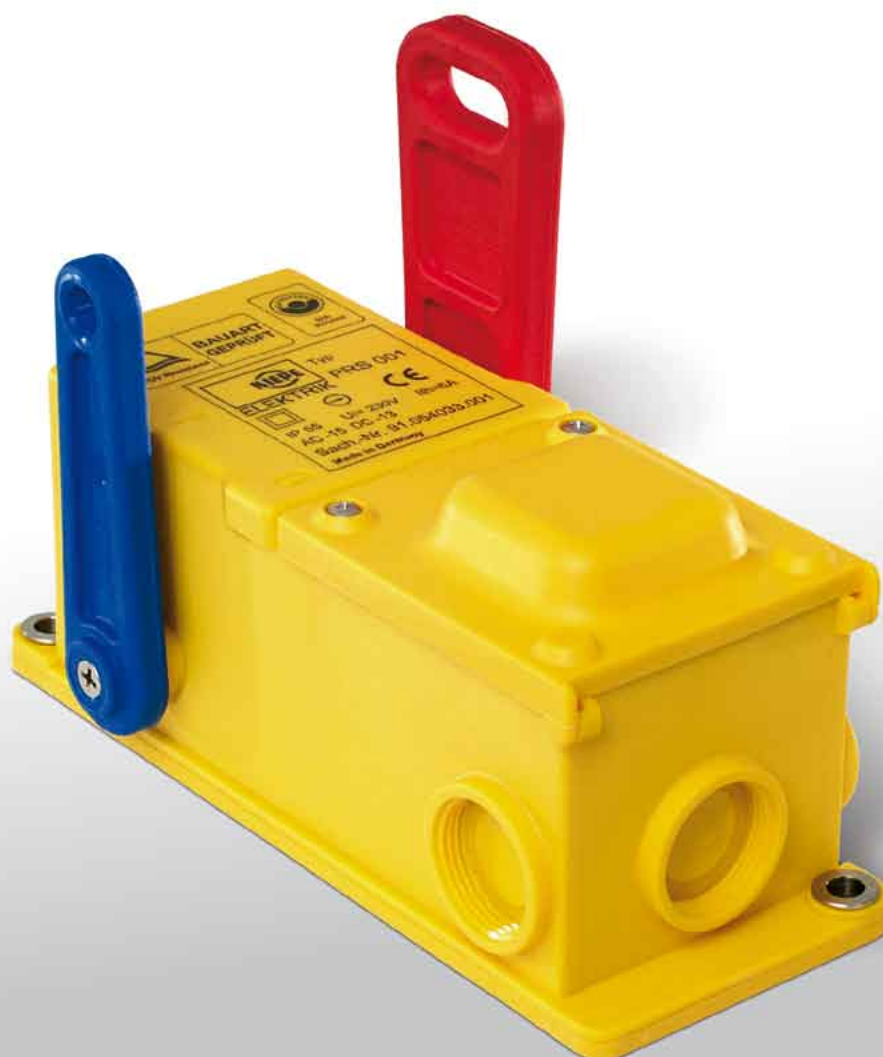


Belt Conveyor Pull Rope Switch

PRS

Leaflet No. Kiepe 413



APPLICATION

Kiepe Pull Rope Switches PRS provide a system to isolate the power to conveyor systems and other process equipment in event of an emergency. Constructed from reinforced glass-fibre and stainless steel the new PRS, being resistant to ammonia can successfully operate in extreme and harsh environments such as salt mines, composting, recycling plants as well as port and harbour areas.

Kiepe Pull Rope Switches and accessories meet the requirements of safety authorities with respect to personnel safety and equipment.

The device is intended for use in stationary installations and in vehicles.

OPERATION

Kiepe Pull Rope Switches are actuated by a plastic coated steel wire rope placed along-side the conveyor. Pulling on the rope at any point will trip and automatically lock the switches, deenergizing the conveyor starter contactor.

Each switch is bi-directional in operation and has two ropes fitted to it from opposite directions terminating with a spring at the anchor points.

The springs will operate the switch in the event of rope breakage. The length of rope in either direction may be up to 50 meters.

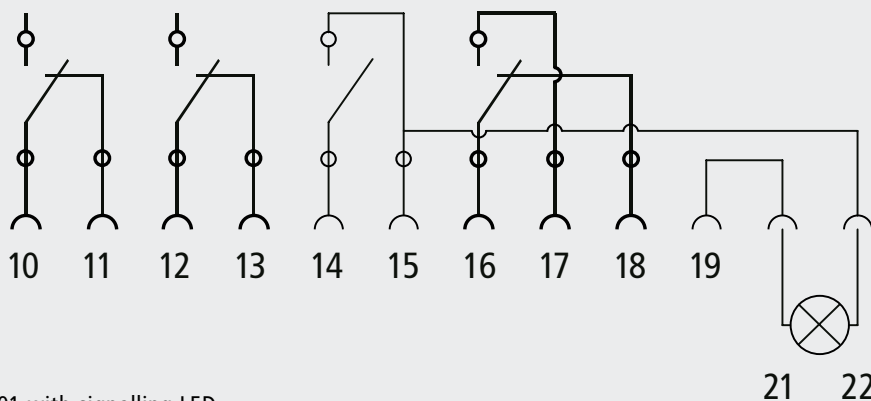
After tripping, the mechanical latch can be released only on the switch itself.

TECHNICAL DATA

Device complies with	EN 60947-5-1 EN 418 EN 60204 VDE 0110 UVV-VBG 10
Housing	Ultramid A3EG5 (PA, fibre reinforced), yellow, RAL 1004
Actuating lever	Ultramid A3EG5, red, RAL 3000
Reset lever	Ultramid A3EG5, blue, RAL 5010
Mounting	By means of 2 M6 bolts
Ambient temperature	-25 °C ... +70 °C
Switching system	PRS 001: 2 positiv making and selfcleaning N.C.-contacts, 1 changeover contact PRS 101: additionally 1 N.O.-contact to activate an internal signalling LED
Rated insulation voltage U_i	230 V
Rated operational voltage U_e	230 V
Conventional thermal current I_{th}	6 A
Breaking capacity	AC-15: AC 230 V / 1,5 A DC-13: DC 60 V / 0,5 A
Protection	IP 65 according to EN 60529
Cable entry	3 x M25 x 1,5
Connections	2,5 mm ² max.
Ordering code	91.054 033.001 91.054 033.101 (with LED) 91.054 033.002 (IP 67 protection)

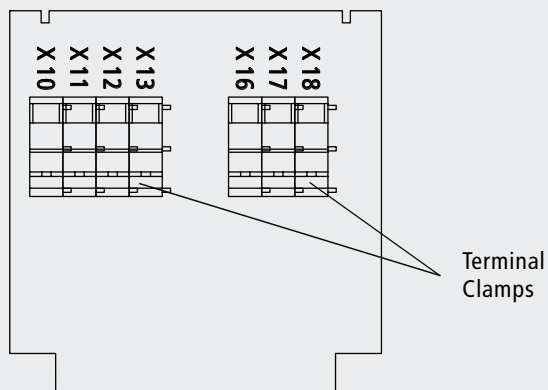
Note: The devices may be used in control circuits only!

CONTACT ARRANGEMENTS



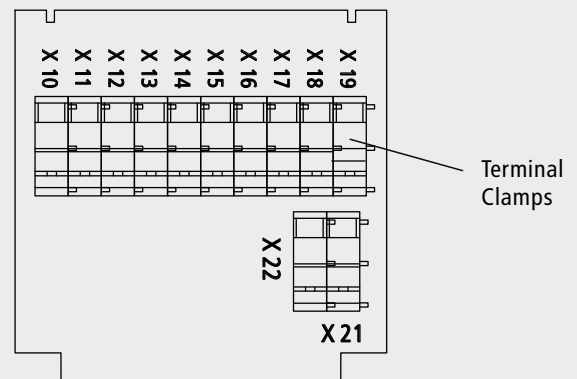
Faint line for PRS 101 with signalling LED

PRS 001 WITHOUT SIGNALLING LED



Arrangement of the terminal clamps

PRS 101 WITH SIGNALLING LED



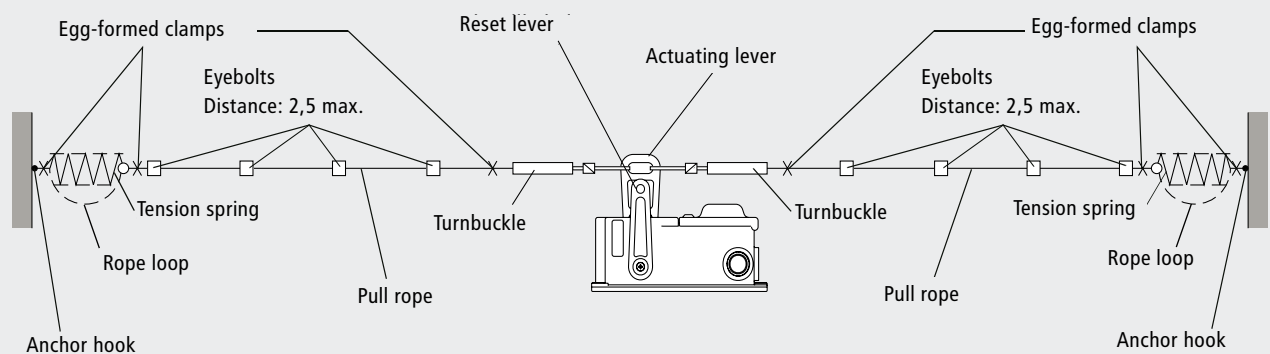
Arrangement of the terminal clamps

INSTALLATION

The switches are easily installed along the edge of the conveyor structure. The actuating lever should be positioned adjacent to the belt edge with the reset lever on the outside. Flexible vinyl coated steel wire is available for the pull rope. One egg formed clamp is used for each rope fastening point. For guiding and rope support eye bolts are at intervals up to 2,5 m. Stainless steel springs at the end of the rope ensure operation of the switch in the event of rope breakage (Fail safe).

The spring pretension is adjusted by means of turnbuckles which can simply be attached onto the actuating lever. Since the switches are bi-directional in operation, variations of temperature which can influence the rope length become balanced by means of the two springs.

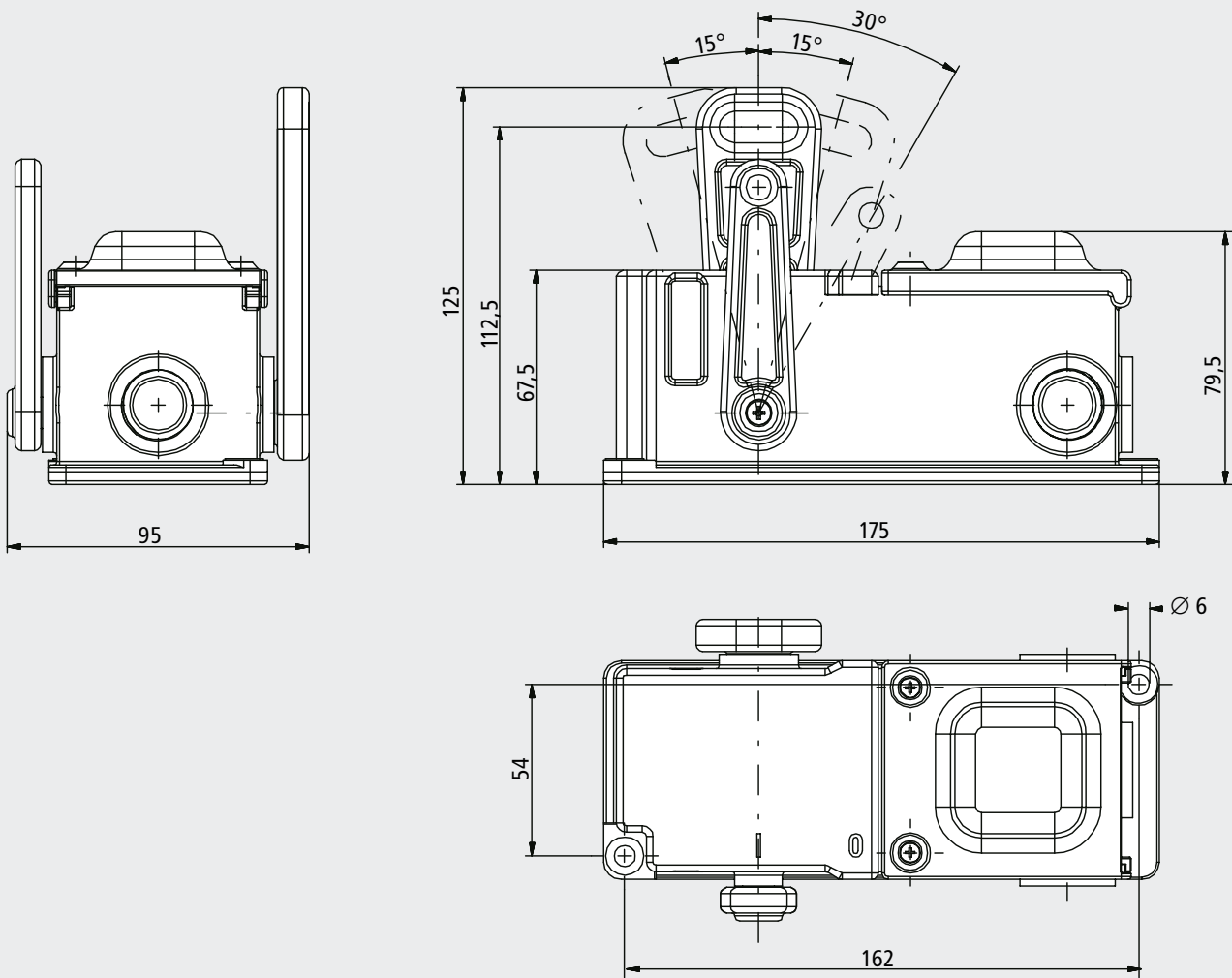
DRAWING INSTALLATION



ACCESSORIES

Pull rope, flexible steel wire, plastic coated, red colour (available in 50, 100 and 500 m length), \varnothing 3 mm	94.045 731.001
Tension spring, stainless steel, 170 mm x \varnothing 20 mm	94.000 026.681
Turnbuckle (metal, 1 eye, 1 hook)	215.22.80.02.01
Rope clamp, egg form	94.047 869.001
Eyebolt M 12 x 60	94.045 727.001
Eyebolt M 12 x 200	94.045 727.002
Swing hook M10	94.045 728.001

DIMENSIONS



Subject to change without notice.